



GER 122-C

ARCHIV



Advertising Mats

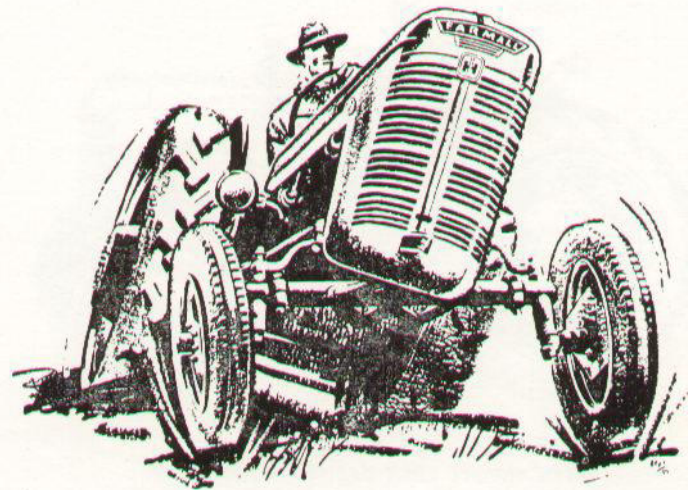
Farmall DED Diesel Tractor

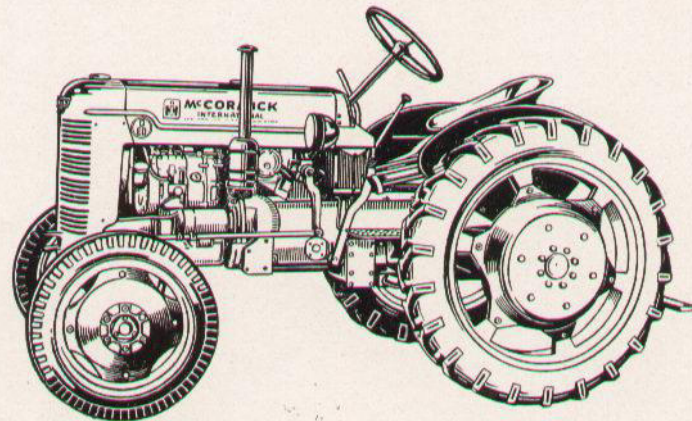
Farmall DGD Diesel Tractor

INTERNATIONAL HARVESTER COMPANY, MBH
Neuss/Rhine Germany

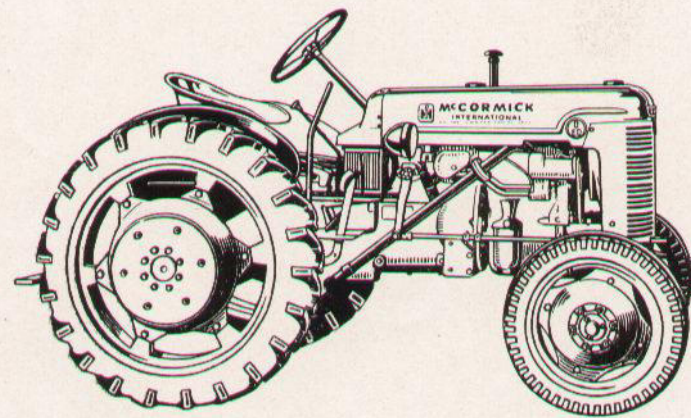
On the following pages you will find line drawings on our new DED and DGD FARMALL Diesel tractors of which advertising mats are available.

In case you should need some of these when preparing your advertisements, please let us have your order.

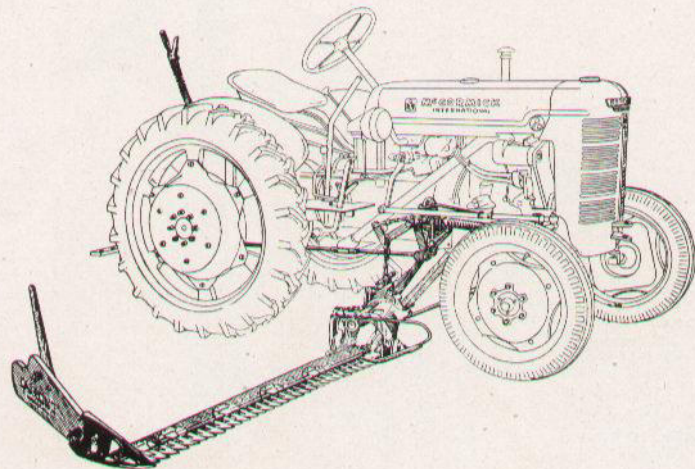




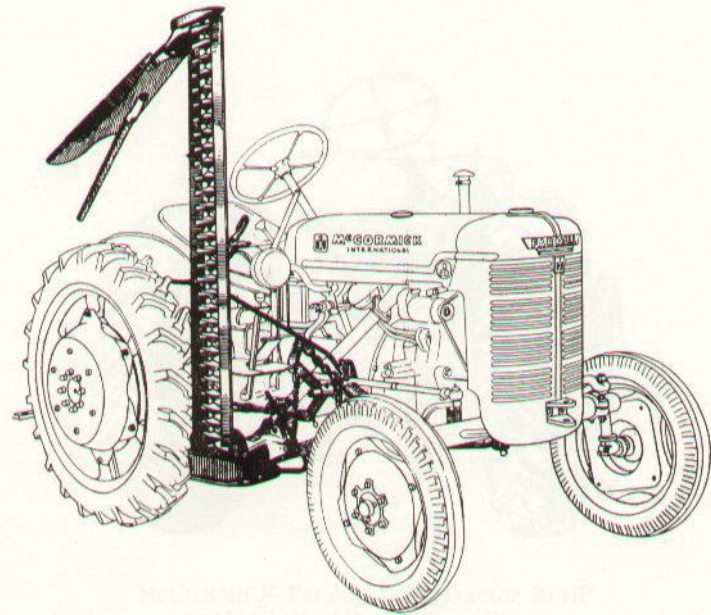
McCORMICK Farmall DED Tractor 20 HP



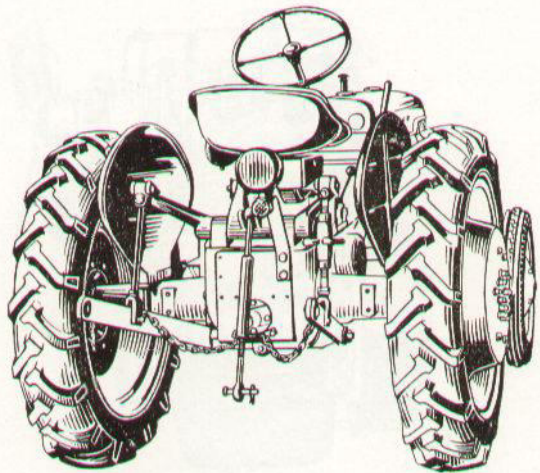
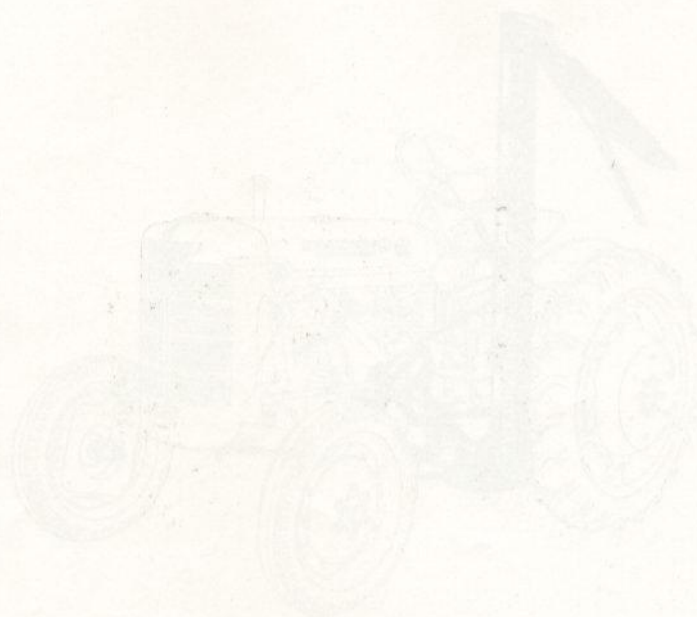
McCORMICK Farmall DED Tractor 20 HP



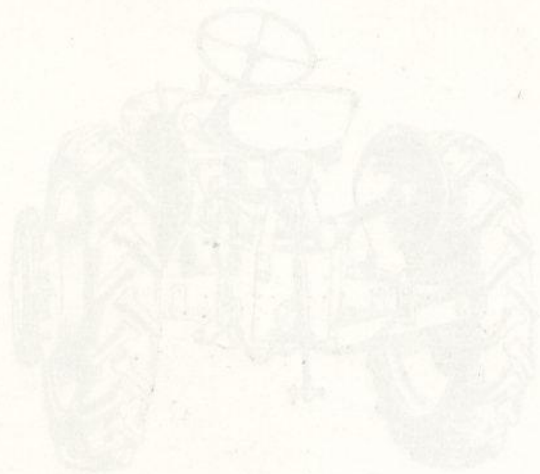
McCORMICK Farmall DED Tractor 20 HP
w/DE 22 Side Mounted Mower
w/Drive 5' Regular



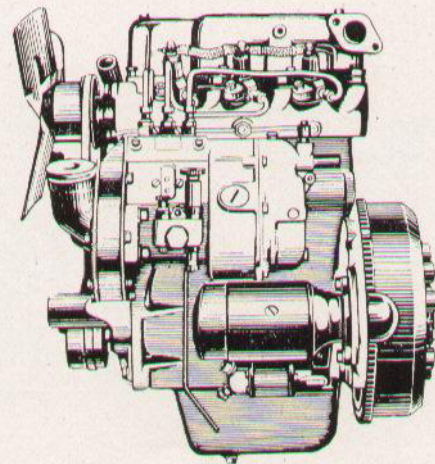
McCORMICK Farmall DED Tractor 20 HP
w/DE-22 Side Mounted Mower w/Drive 5' Regular



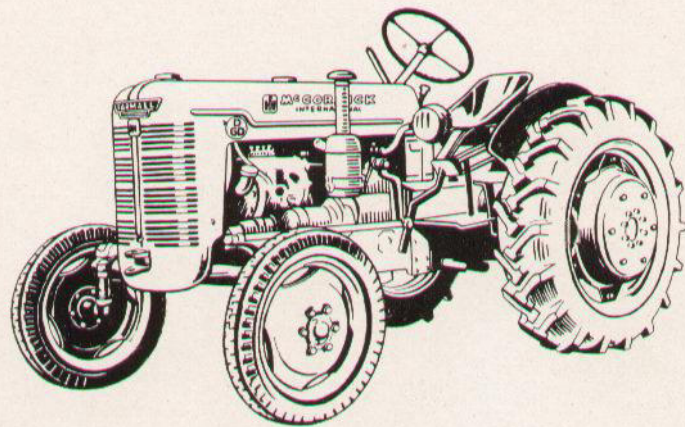
McCORMICK Farmall DED Tractor 20 HP
w/Hydraulic Lift, w/Three-Point
Suspension Hitch, Category 1



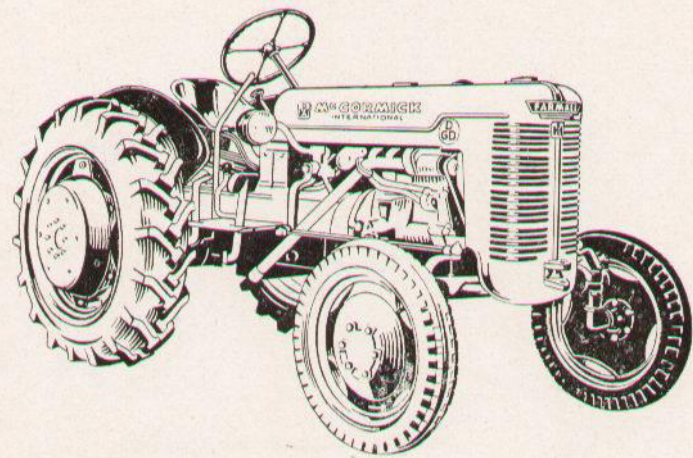
M. GARDNER Farmall 1937 Tractor 20 HP
with Hydraulic Lift and Power-Shift
Suspension with Category 1



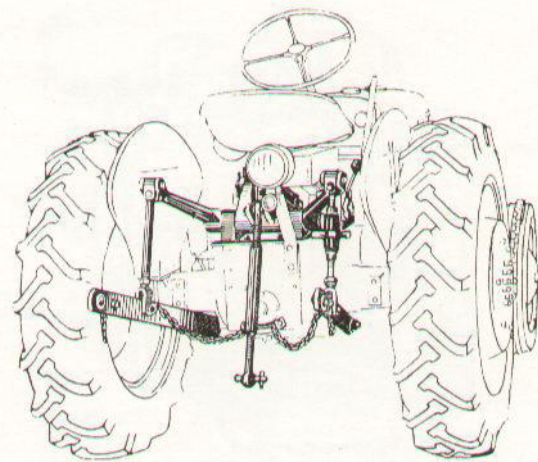
3-Cylinder-20 HP-Diesel Engine L. H. view with Fan,
Cylinder Head, Bosch Fuel Pump w/Built in
Governor and Torque Control, Electric Starter



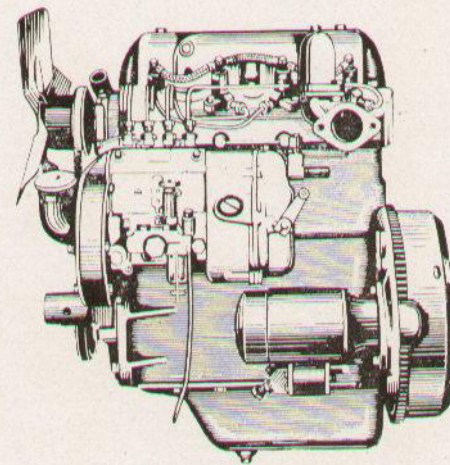
McCORMICK Farmall DGD Tractor 30 HP



McCORMICK Farmall DGD Tractor 30 HP



McCORMICK Farmall DGD Tractor 30 HP
w/Hydraulic Lift, w/Three-Point
Suspension Hitch, Category 1



4-Cylinder-30 HP-Diesel Engine L. H. view with Fan,
Cylinder Head, Bosch Fuel Pump, w/Built in
Governor and Torque Control, Electric Starter